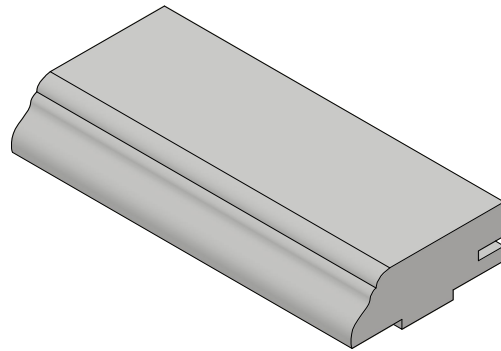


9/16

Placement of groove for weatherstrip may vary based on the weatherstrip. This groove location works for our standard w/s keeping the w/s backset 1/16 from the face of the door stop.

(w/s groove is cut on the table saw)



Scale :
1 : 1

Part Number :
DS-E-05-A

Style :
Traditional

[Back](#)

Description :
Door Stop



HOMESTEAD
WOODWORKS