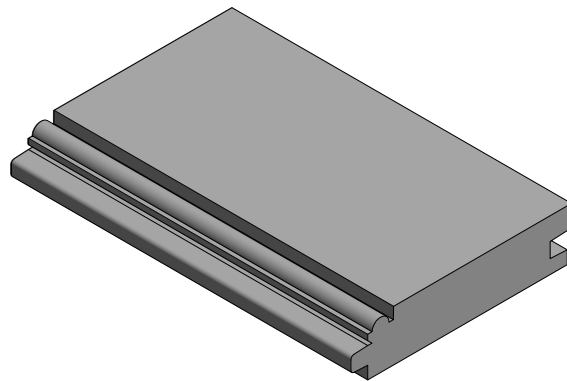
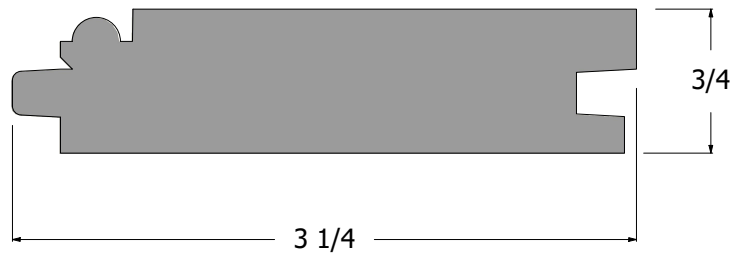


Back checking is standard on flooring only,
but is available on request for wall paneling
& ceiling boards.



Scale :
1 : 1

Part Number :
TG-09-D

Style :
Traditional

[Back](#)

Description :
Standard Flooring



HOMESTEAD
WOODWORKS